

Safety Instructions

1, 2, 3, 4, 5, 6, 7, 8, **11**, 12,
16, 17, 18, 19, 20, **21**, **22**,
24, **26**, 33, 34



Info Hotline



+49 (0) 5041 998 389

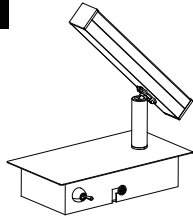
Mon. - Do. 7⁰⁰ - 20⁰⁰

Fr. 7⁰⁰ - 17⁰⁰

Paulmann Licht GmbH
Quezinger Feld 2
31832 Springe
Germany

www.paulmann.com

Art.-Nr. : 666.54
(+MA 326) PEA 06/16



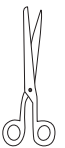
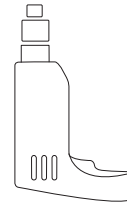
1X



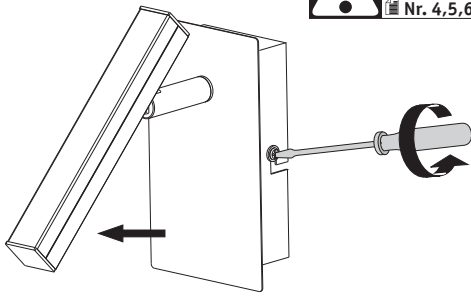
2X



2X



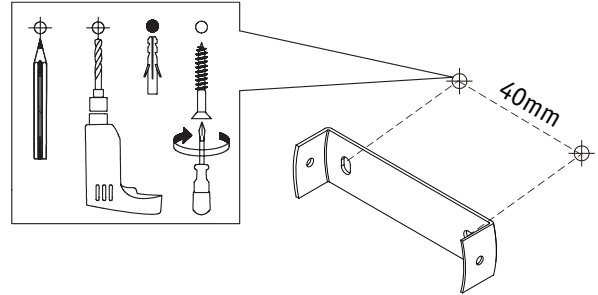
A



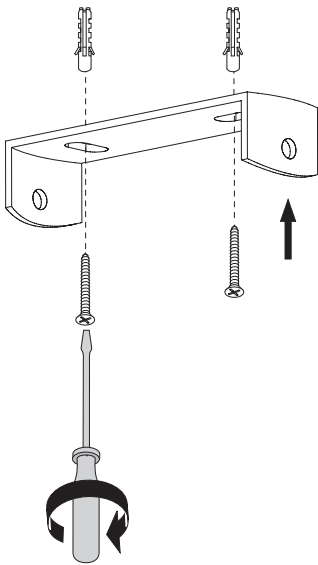
Safety Instructions
Nr. 4,5,6,7,8,12,19 off



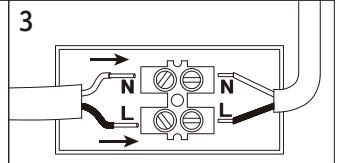
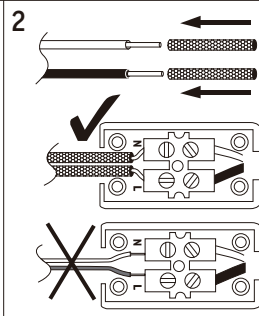
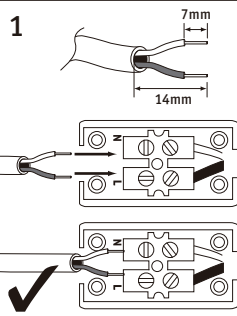
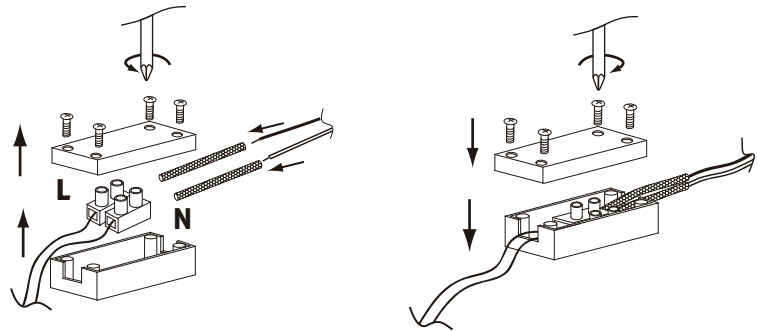
B



C



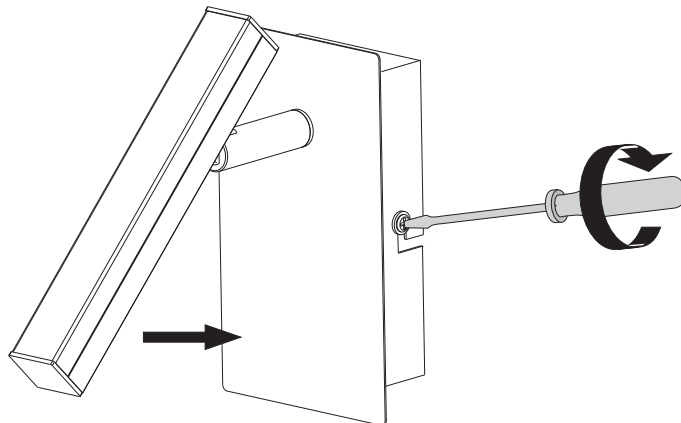
D



Safety Instructions
Nr. 3,11,28 off



E



Safety Instructions
Nr. 17,18,20 off

